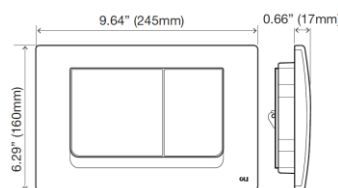
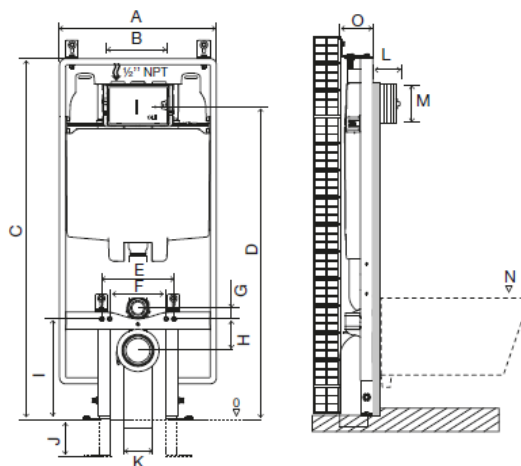


Technical sheet

OLI74 Plus S90 Sanitarblock

In-wall toilet system comprised of flushing tanks 601803



	A	B	C	D	E	F	G	H	I	J	K	L	M	N	O
mm	500	185	1150	1000	230	180	35	100	320	0-150	Ø90-90	10-90	120	400±10	90-145
in	19.6	7.3	45.2	39.4	9.1	7.1	1.4	3.9	12.6	0-5.9	Ø 3.5-3.5	0.39-3.5	4.7	16±0.39	3.5-5.71

Product Identification

Code 601803

- OLI74 Plus S90 Sanitarblock

Definition and application

- Preassembled In-wall toilet system comprised of flushing tank compatible for 2x4 and 2x6 type installations. Minimal wall thickness is 3.6".
- Compatible with all wall-hung WC toilets.

Technical Features

Metal Structure

- Painted solid tubular metal structure
- Corrosion resistant
- Adjustable height
- Depth adjustable pipe fitting

Flushing tank

- Water-saving dual flush system 6 & 3litres (1.6Us gal & 0.79US gal)
- Mechanical outlet valve actuation
- Filling pressure from 1.45 psi to 232 psi
- Resistance to atmospheric humidity (Hr <90%).
- Polypropylene (PP) cistern highly resistant and inalterable to thermal stress

Millimeters/inches measures

Technical sheet

OLI74 Plus S90 Sanitarblock

In-wall toilet system *comprised of flushing tanks* 601803



- Certified cistern according UPC/IAPMO standards
- Equipped with Azor Plus Inlet Valve, with delayed refilling (saves up to 9 litres/ 2.4US gal of water per day) and silent according to the UPC/IAPMO standard
- Supplied with anti-condensation lining

Control plate

- Water-saving dual flush system
- Mechanical outlet valve actuation
- Abs control plate: high resistance to scratches
- Polished chrome finishing
- Actuation force <20N
- 2 Easy-fit actuation and fixating screws

Flush pipes, waste pipes and accessories

- 1 Water pipes for toilet \varnothing 90mm x 250mm (\varnothing 3.5in x 9.8in)
- 1 Seal for water pipe \varnothing 125mm (\varnothing 4.9in)
- 1 Connecting water pipe \varnothing 45mm x 180mm (\varnothing 1.8in x 7.1in)
- 1 Pan rubber seal \varnothing 45mm (\varnothing 1.8in)
- 1 Protective box
- 1 G 1/2" stop valve
- 1 Protection foam for the stop valve
- 1 Flush bend \varnothing 90mm / 90mm L230mm/L350mm (\varnothing 3.5in x 9.8in/13.7in)
- 1 Adaptor \varnothing 90mm /100mm (\varnothing 3.5in/ \varnothing 3.9in)
- 1 Adaptor \varnothing 90mm/76.20mm (\varnothing 3.5in / \varnothing 2.9in)
- 1 Flush water pipe \varnothing 56mm x 165mm (\varnothing 2.2in x 6.5in)
- 1 Protection pipe \varnothing 90mm (\varnothing 3.5in)
- 1 Protection pipe \varnothing 45mm (\varnothing 1.7in)

Fixing accessories for wall structure:

- 6 Galvanized screws M8x70mm (2.7in)
- 6 Galvanized washers M8 DIN 9021
- 6 Bushings for metal structure
- 4 Metal fixings
- 2 Screws M8 x 40mm (1.5in)

Fixing accessories for toilet bowl mounting on the structure:

- 2 Threaded rods M12
- 2 Nuts M12
- 2 Threaded rod protectors
- 2 Protective covers
- 2 Toilet centring washers
- 2 Washers Zn \varnothing 34mm (\varnothing 1.3in)

Warranty

Please visit www.oli-world.us for the full warranty terms

Observations

To discover other models and a large selection of optional decorative plates, please visit our website www.oli-world.us